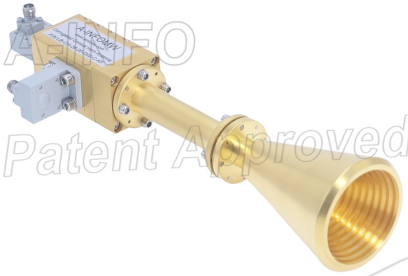


For reference only. See data sheet for the detailed specifications.

Technical Specification



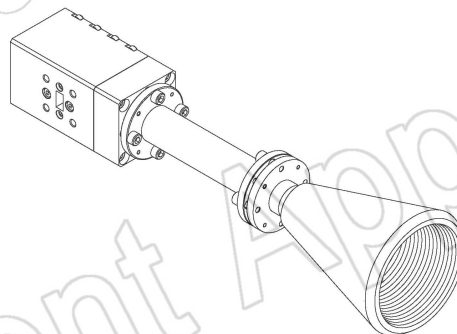
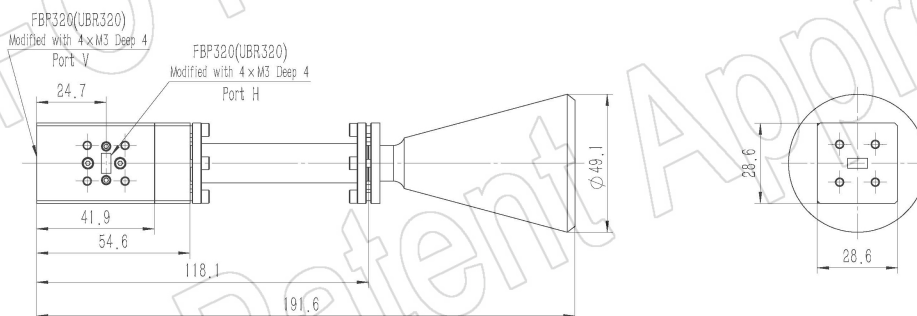
Frequency Range(GHz)	26.5 – 40.0
Waveguide	WR28
Gain(dBi)	20 Typ.
Polarization	Dual Circular
Axial Ratio(dB)	3.0 Typ. ; 4.0 Max.
3dB Beamwidth(deg)	E Plane: 18 Typ.
	H Plane: 18 Typ.
Port to Port Isolation(dB)	25 Typ. ; 15 Min.
VSWR	A Type: 1.30:1 Typ.
	C Type: 1.50:1 Typ.
Output	A Type: FBP320(UBR320) (Modified with 4xM3 D4)
	C Type: 2.92mm-Female or 2.4mm-Female
Material	Cu
Finish	Gold Plated, Gray Paint
Size(mm)	A Type: 49.1 x 49.1 x 191.6
	C Type: 62.9 x 49.1 x 215.6
Net Weight(Kg)	A Type: 0.62 Around
	C Type: 0.70 Around

PATENT ID (China)

ZL202221065441.6

Outline Drawing (Size: mm)

FBP320 Output (P/N: LB-CH-28-20-D02-A)



AINFO Inc.

China(Beijing):
China(Chengdu):
USA :

Tel: (+86) 10-6266-7326,
Tel: (+86) 28-8519-2786,
Tel: (+1) 949-639-9688,

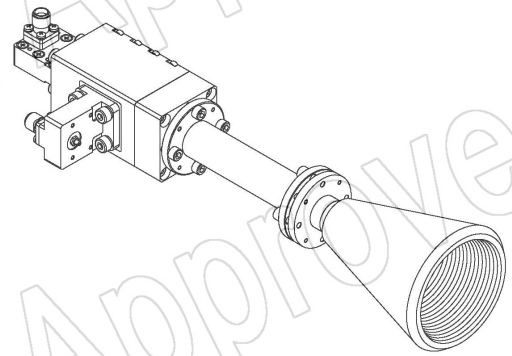
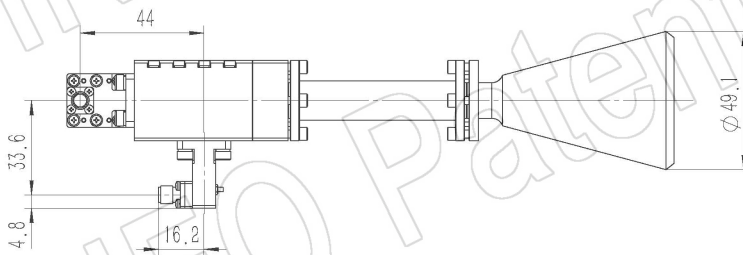
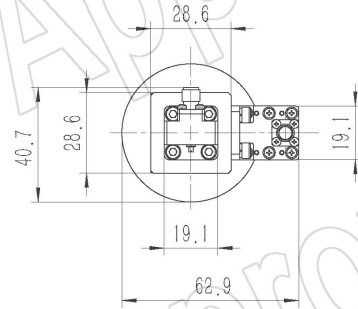
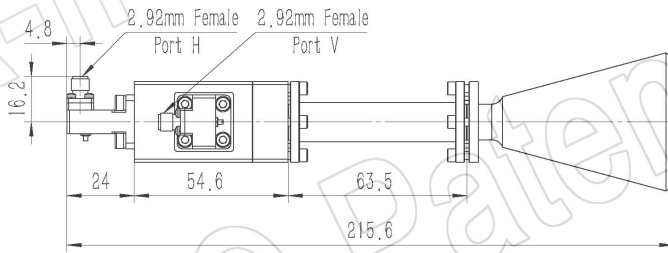
(+86) 10-6266-7327
(+86) 28-8519-3044
(+1) 949-639-9608

Fax: (+86) 10-6266-7379
Fax: (+86) 28-8519-3068
Fax: (+1) 949-639-9670

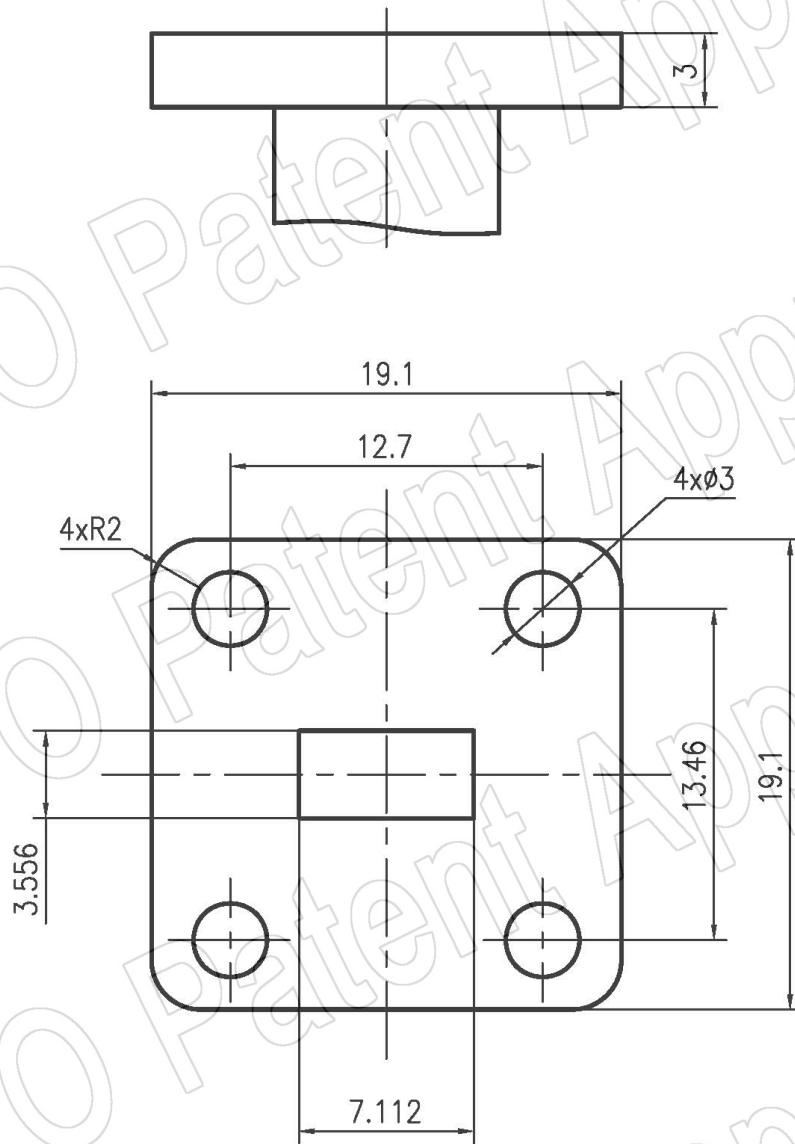
Website: www.ainfoinc.com
Email: sales@ainfoinc.com

2.92mm-Female Output (P/N: LB-CH-28-20-D02-C-KF)

For 2.4mm-Female output outline drawing, please contact A-INFO.



Flange Drawing (Size: mm)



FBP320

AINFO Inc.

China(Beijing):
China(Chengdu):
USA :

Tel: (+86) 10-6266-7326,
Tel: (+86) 28-8519-2786,
Tel: (+1) 949-639-9688,

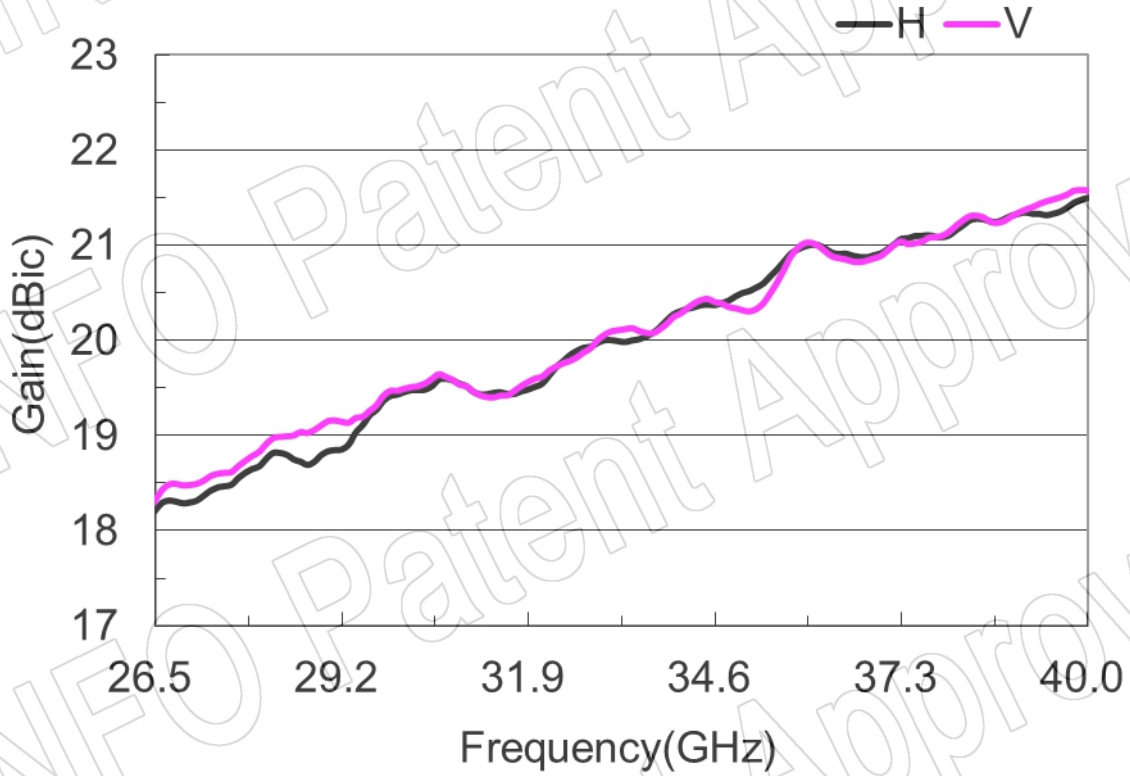
(+86) 10-6266-7327
(+86) 28-8519-3044
(+1) 949-639-9608

Fax: (+86) 10-6266-7379
Fax: (+86) 28-8519-3068
Fax: (+1) 949-639-9670

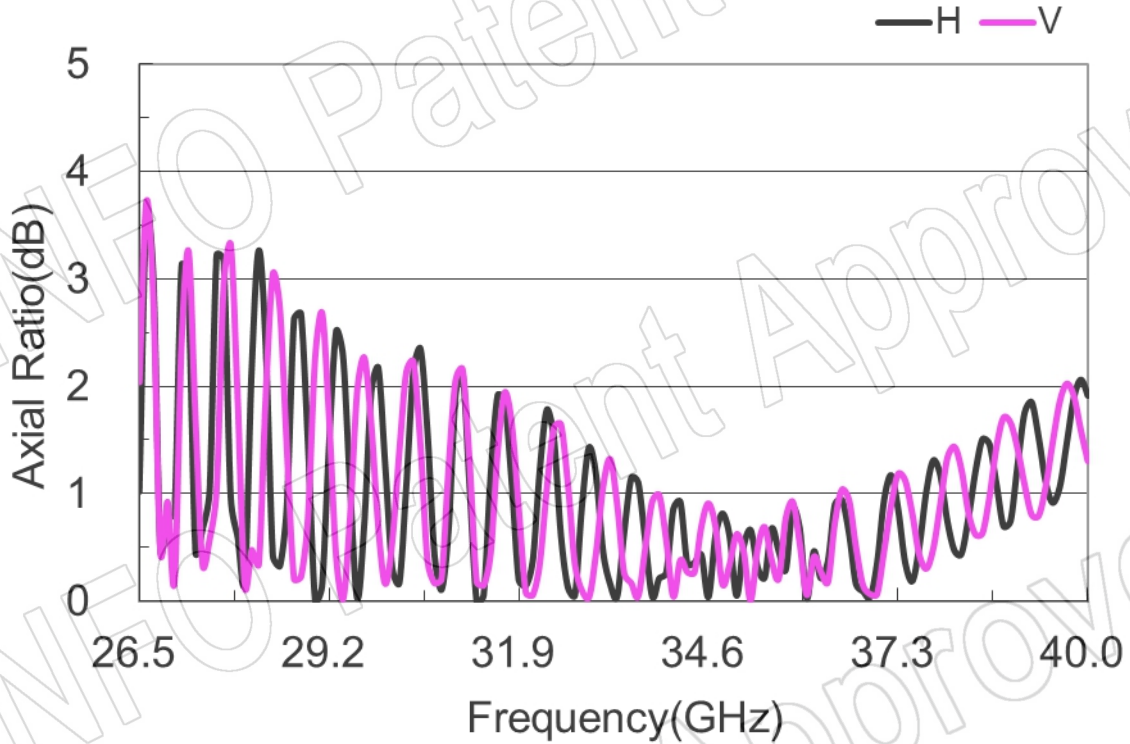
Website: www.ainfoinc.com
Email: sales@ainfoinc.com

Test Results

1. Gain



2. Axial Ratio



3. Port to Port Isolation



4. VSWR_A Type Port-H



AINFO Inc.

China(Beijing):
China(Chengdu):
USA :

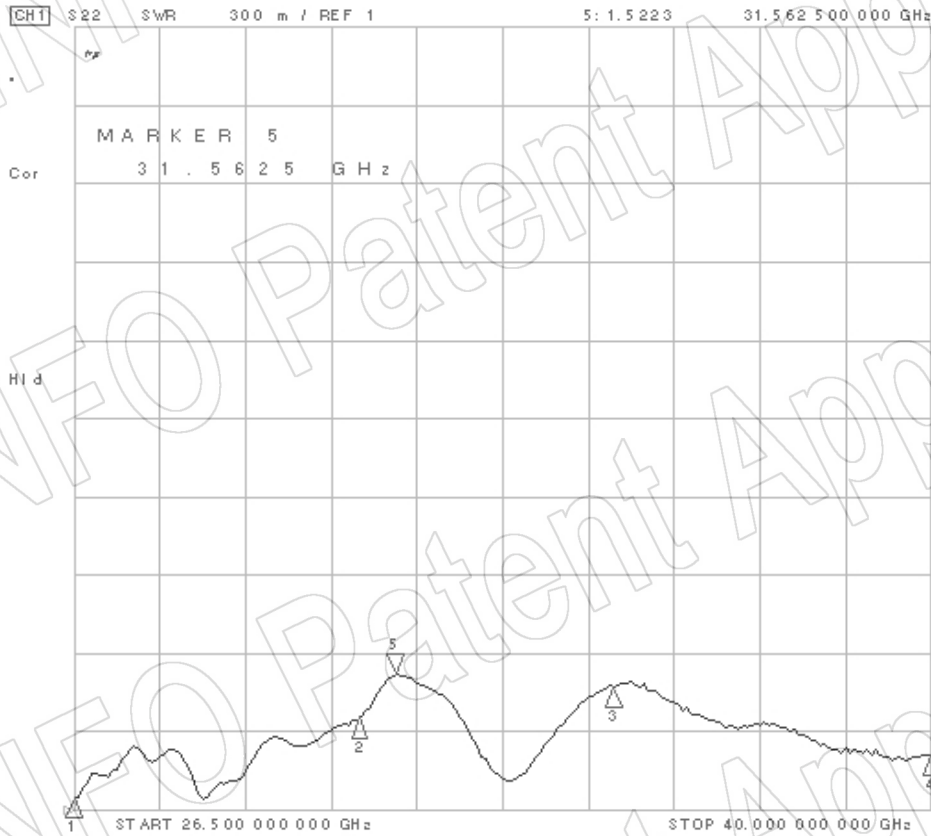
Tel: (+86) 10-6266-7326,
Tel: (+86) 28-8519-2786,
Tel: (+1) 949-639-9688,

(+86) 10-6266-7327
(+86) 28-8519-3044
(+1) 949-639-9608

Fax: (+86) 10-6266-7379
Fax: (+86) 28-8519-3068
Fax: (+1) 949-639-9670

Website: www.ainfoinc.com
Email: sales@ainfoinc.com

Port-V

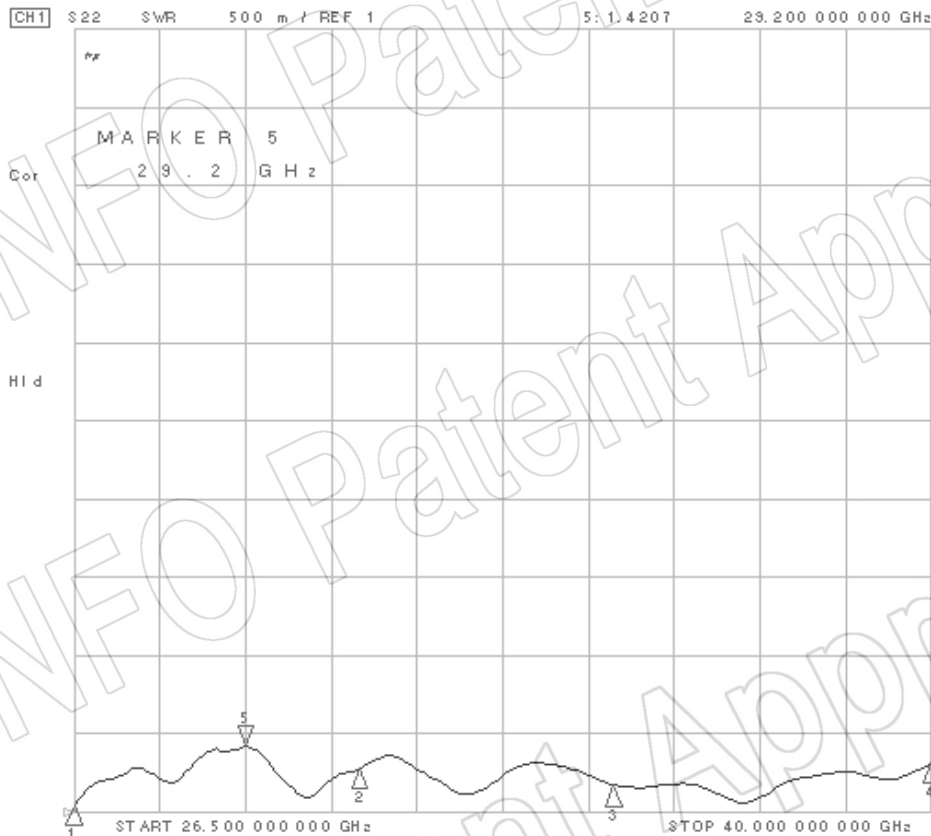


CH1 Markers

Marker	Frequency (GHz)
1	1.0483 26.5000
2	1.3569 31.0000
3	1.4758 35.0000
4	1.2035 40.0000

VSWR_C Type

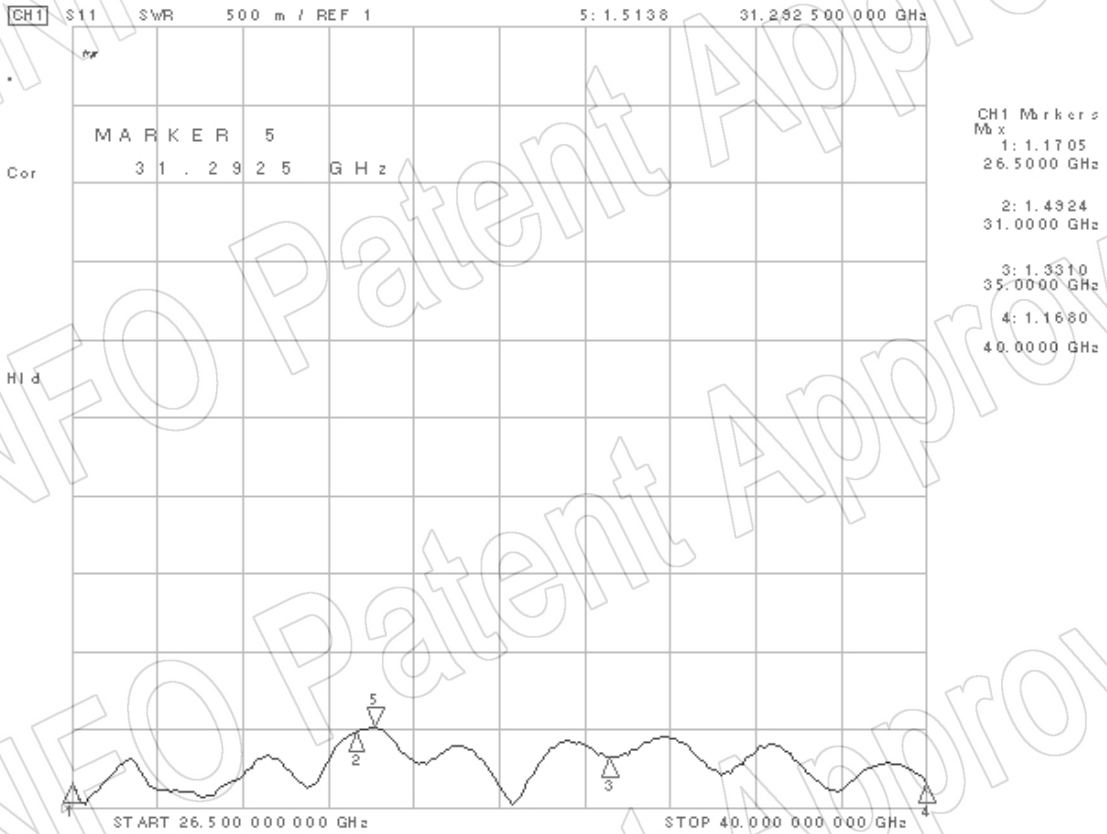
Port-H



CH1 Markers

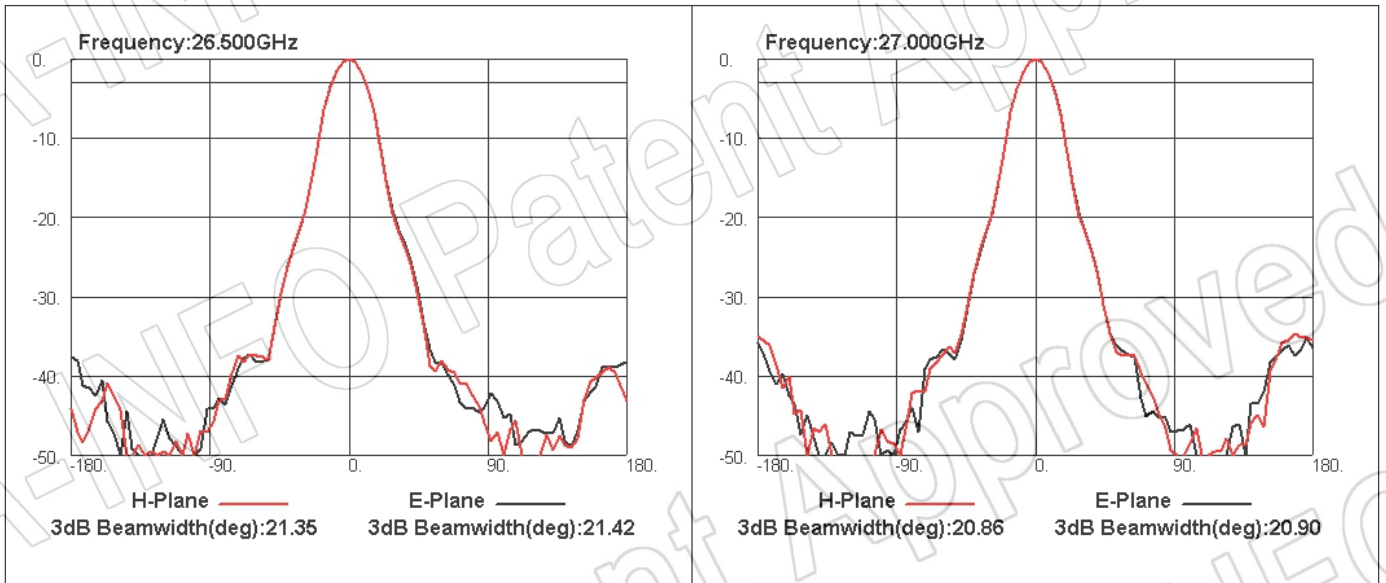
Marker	Frequency (GHz)
1	1.0504 26.5000
2	1.2817 31.0000
3	1.1717 35.0000
4	1.3187 40.0000

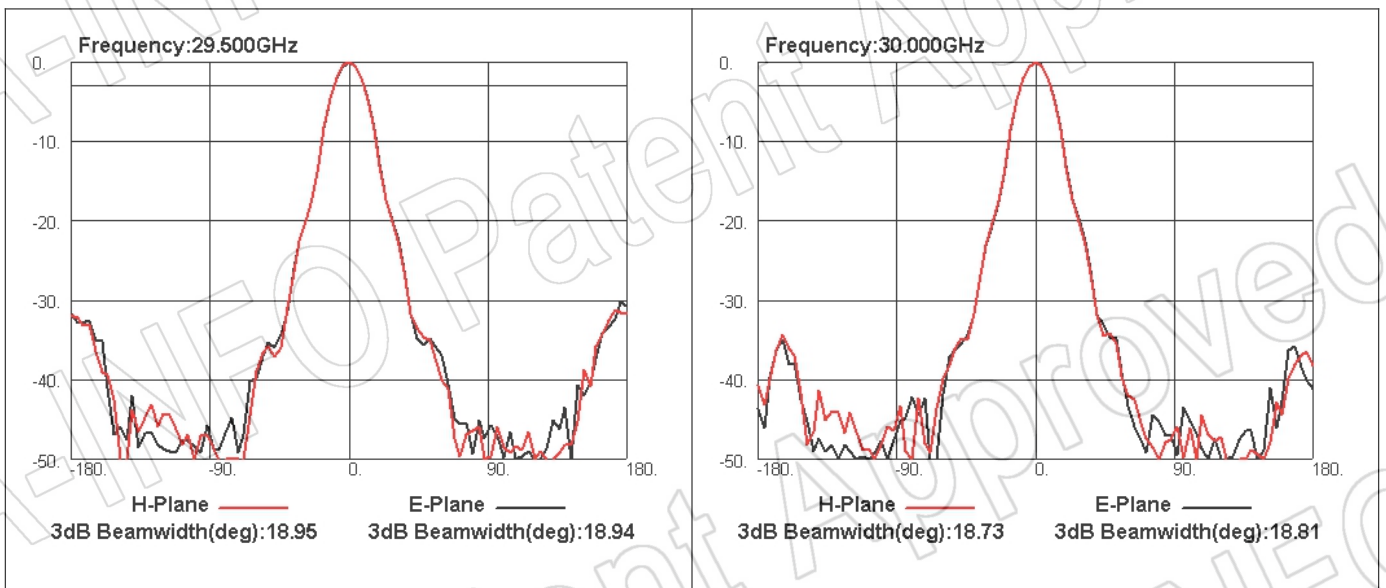
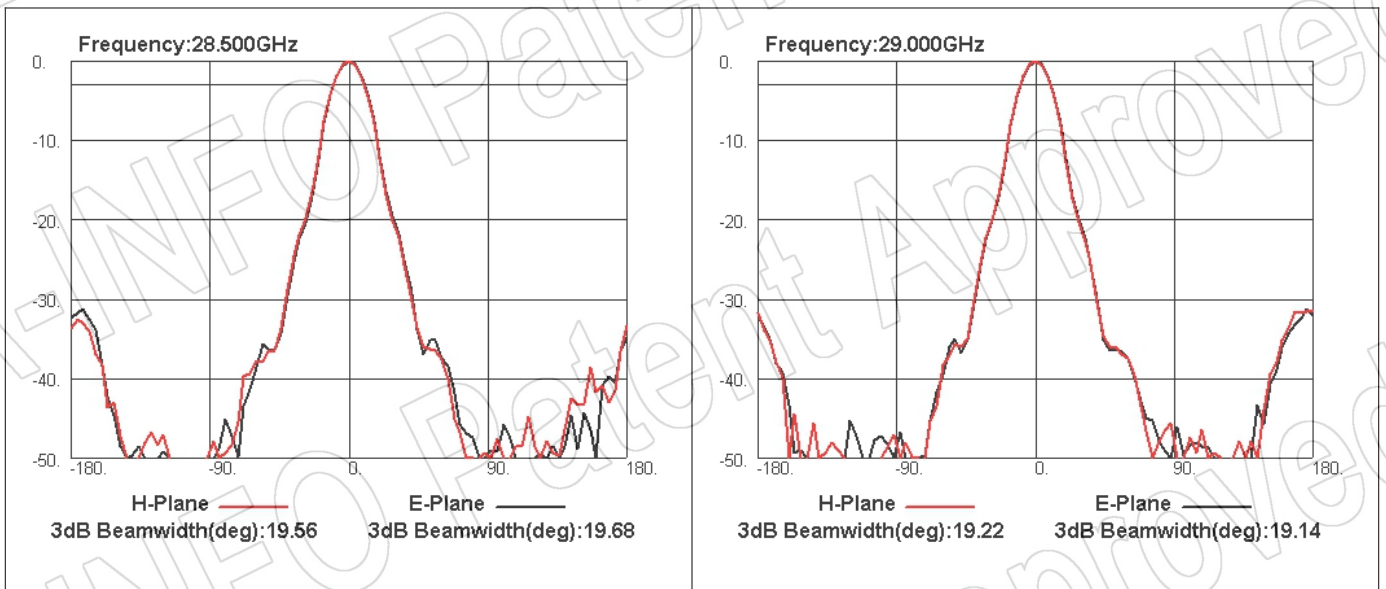
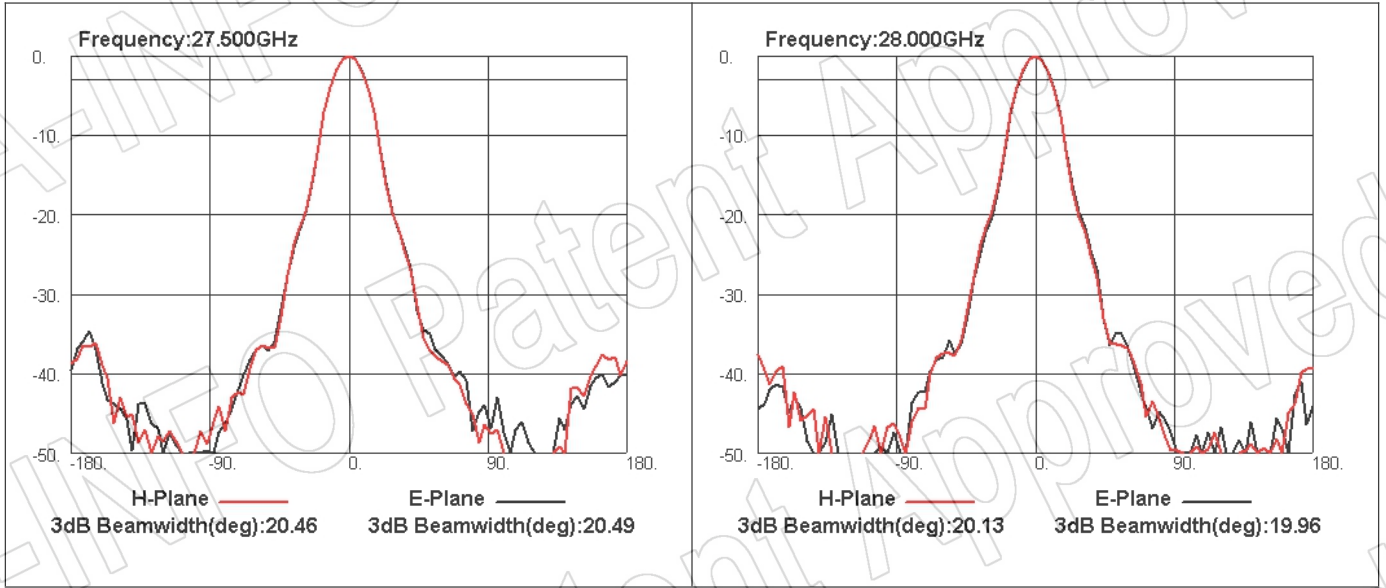
Port-V

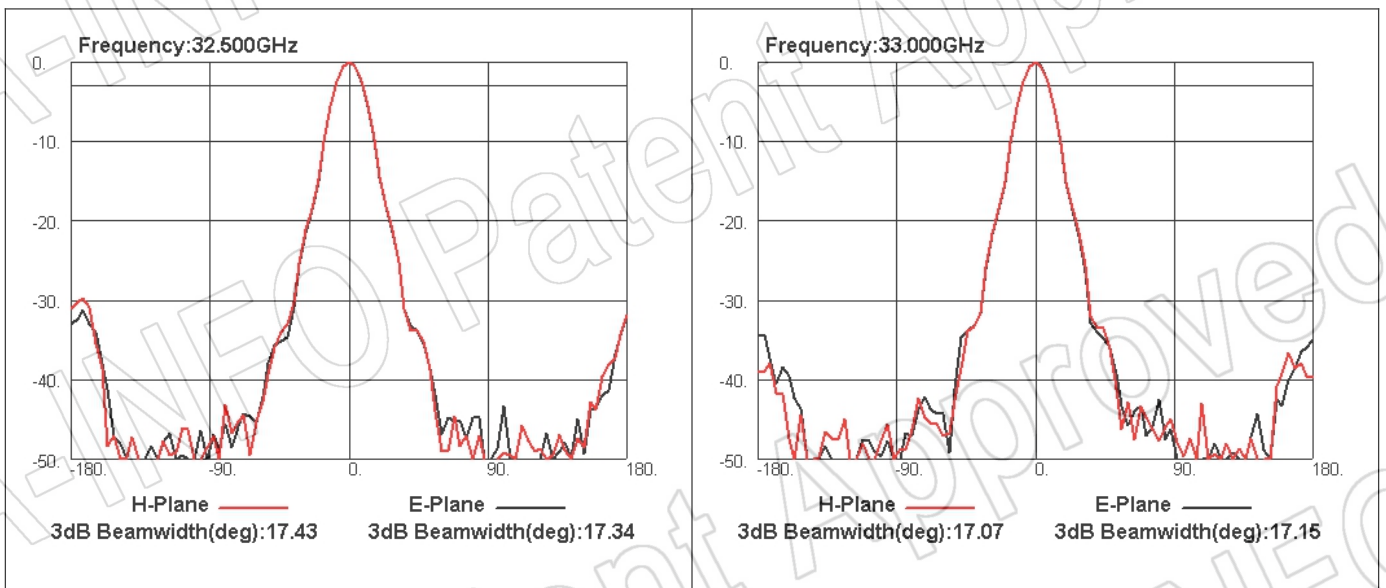
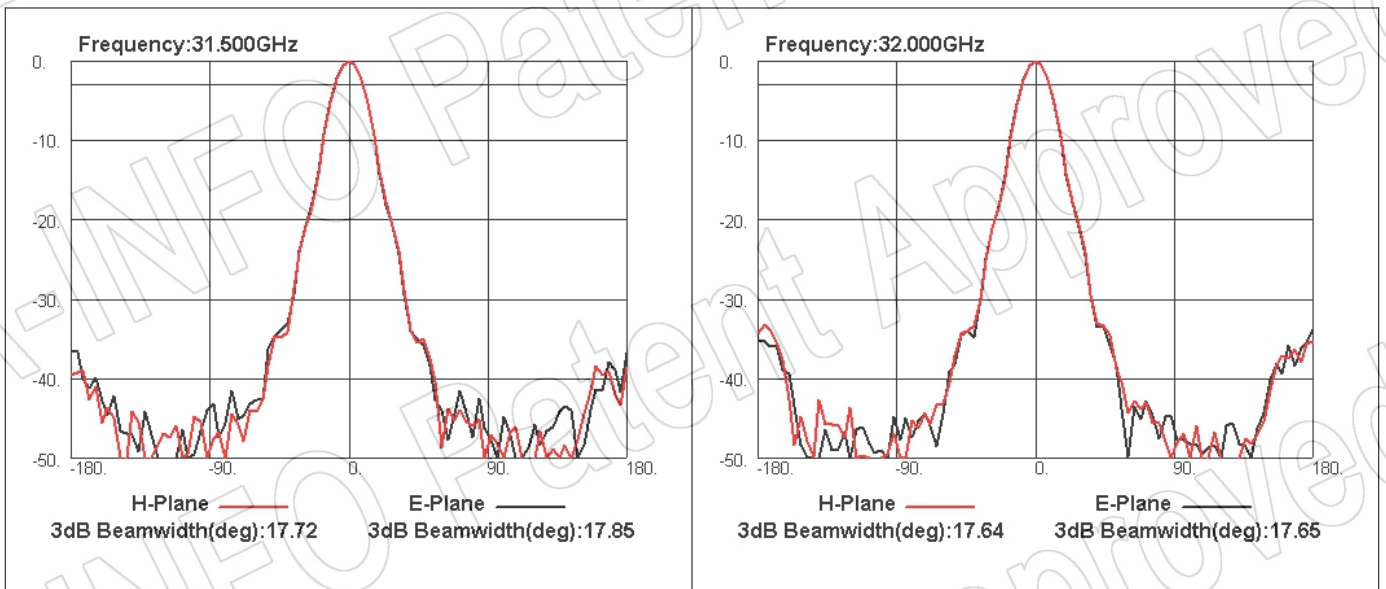
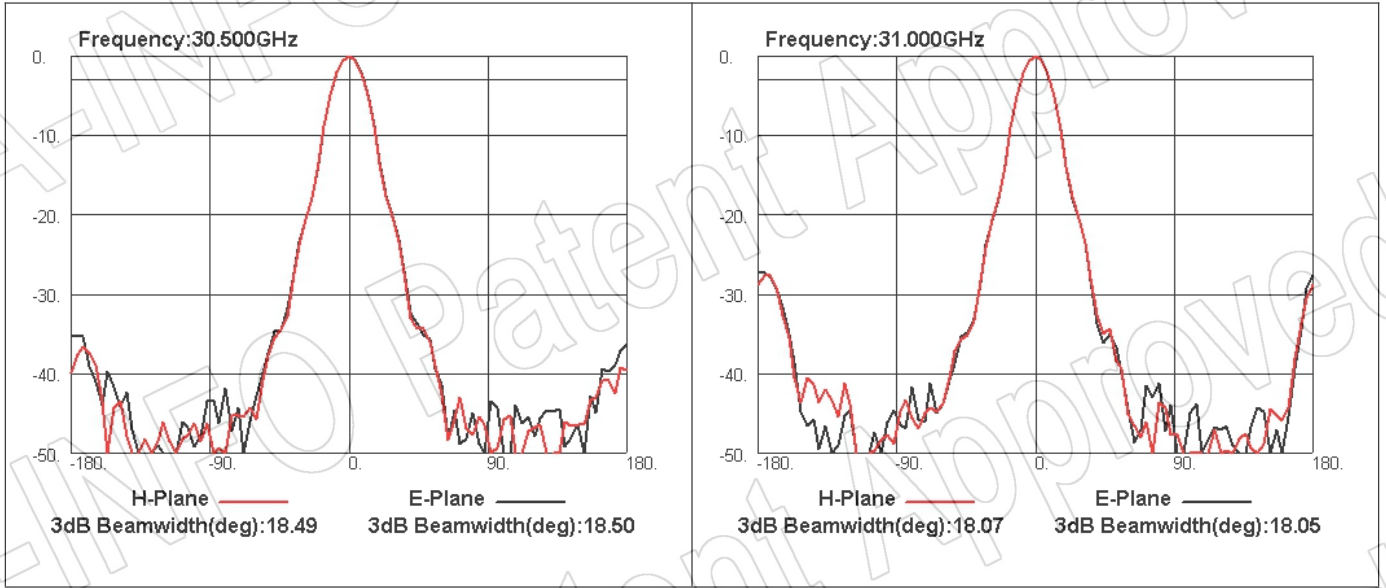


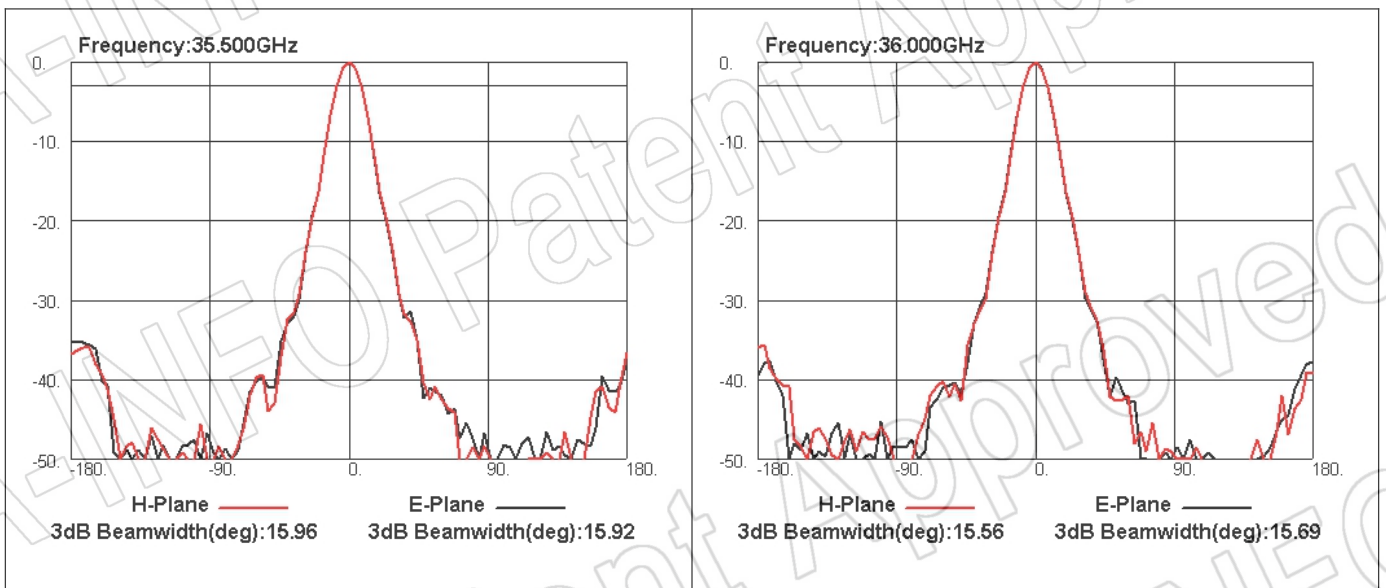
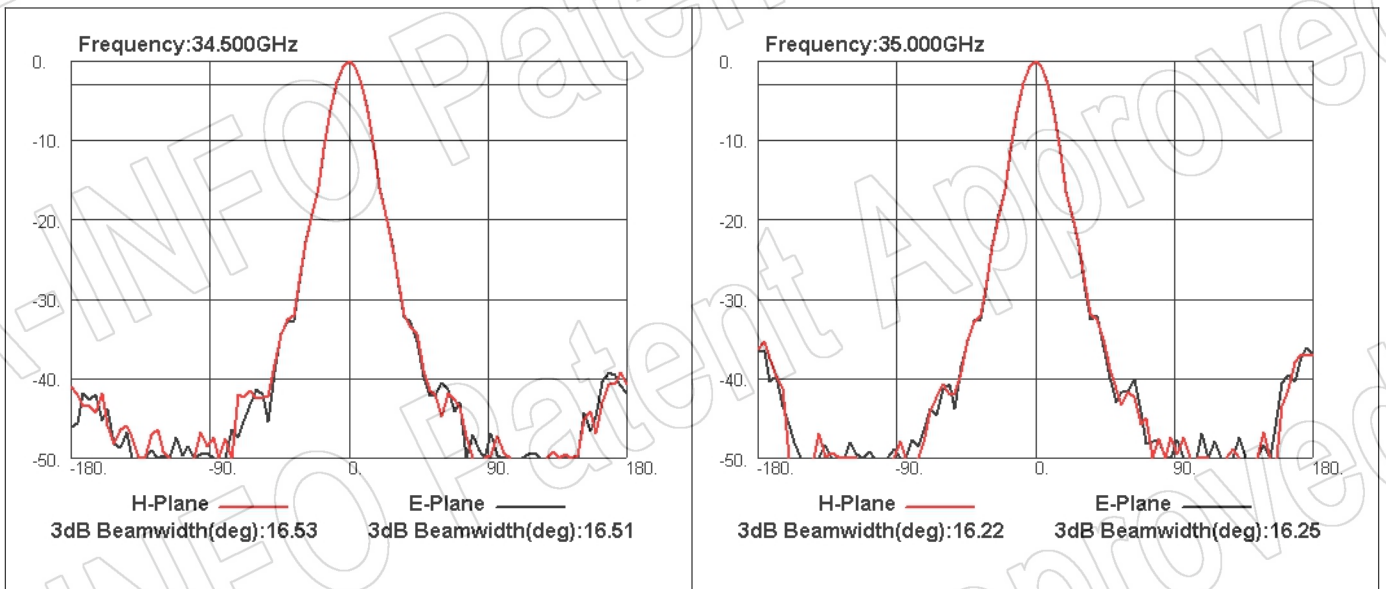
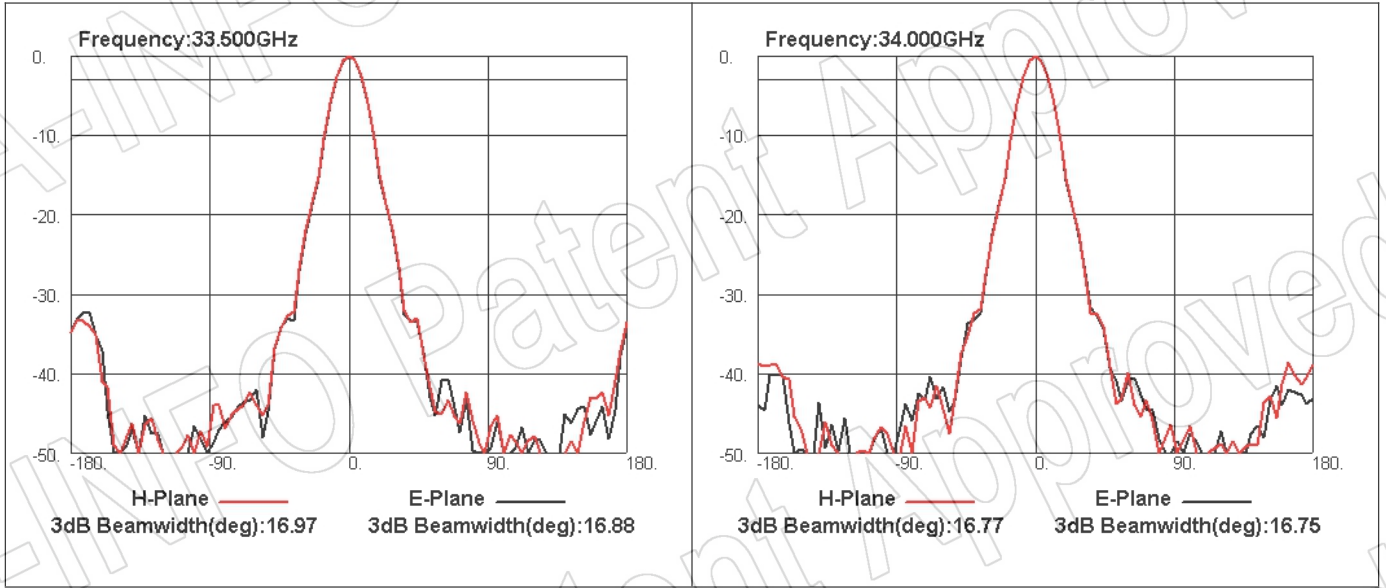
5. Pattern

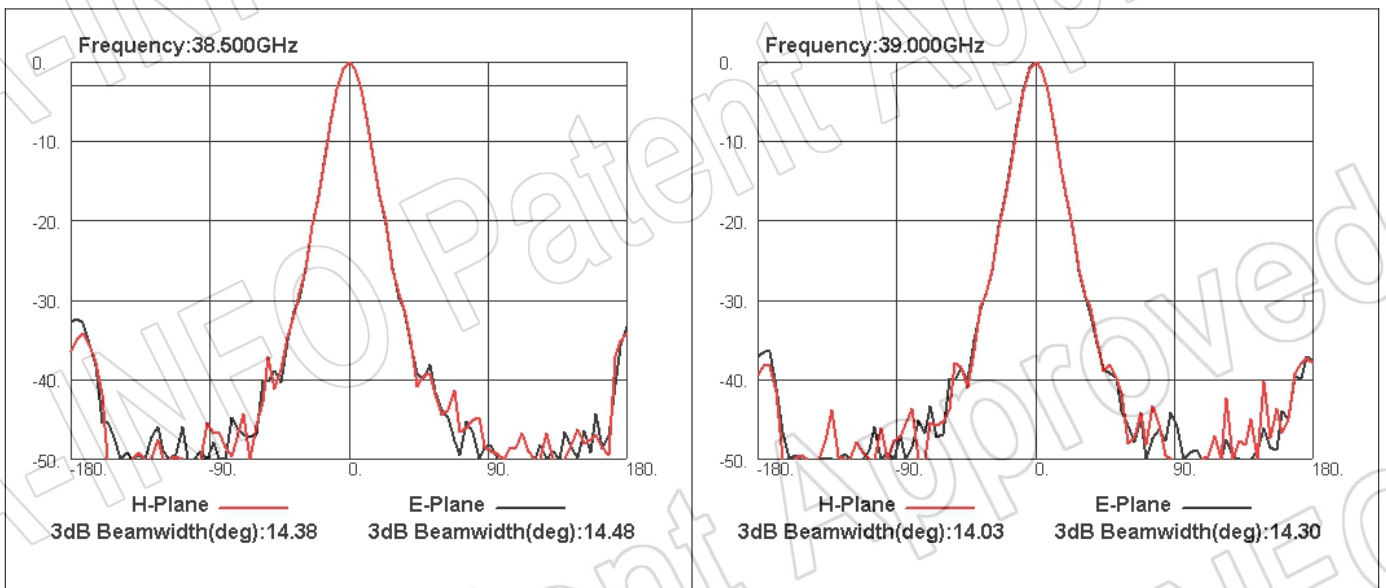
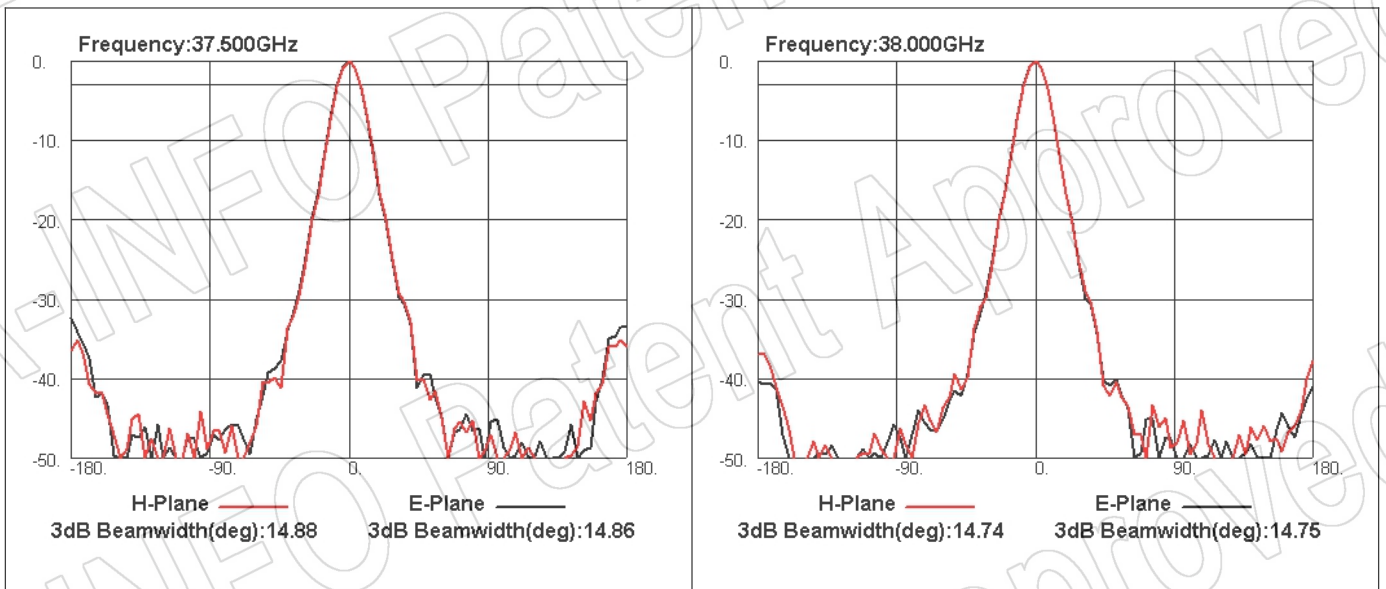
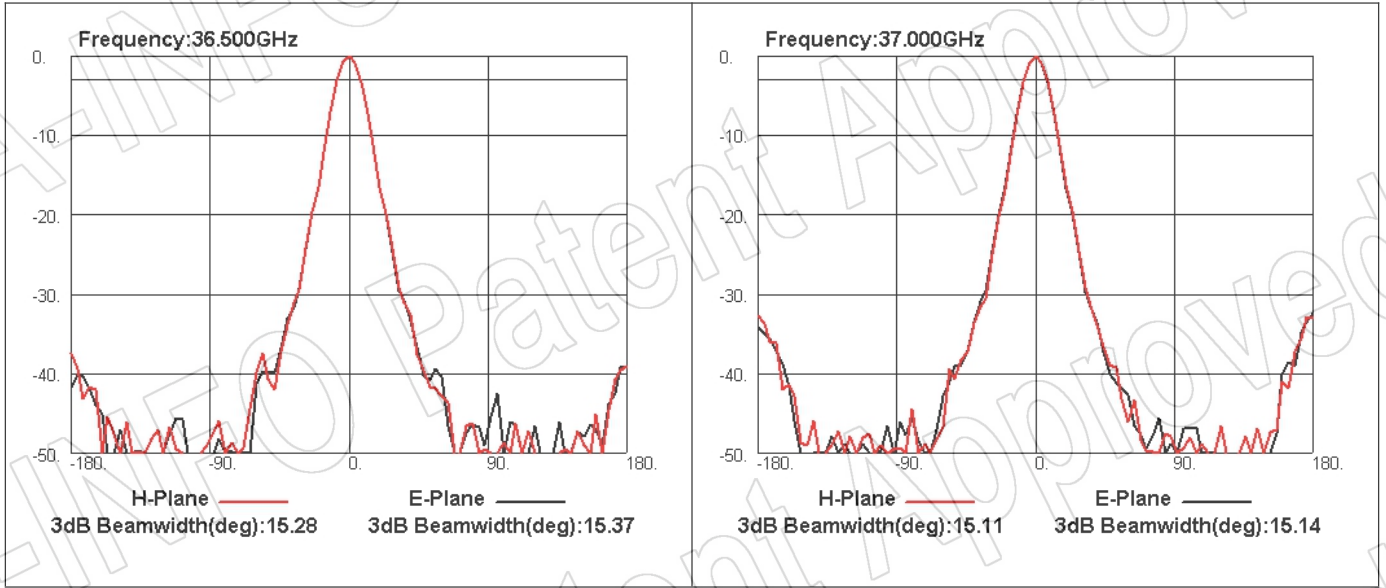
Port-H

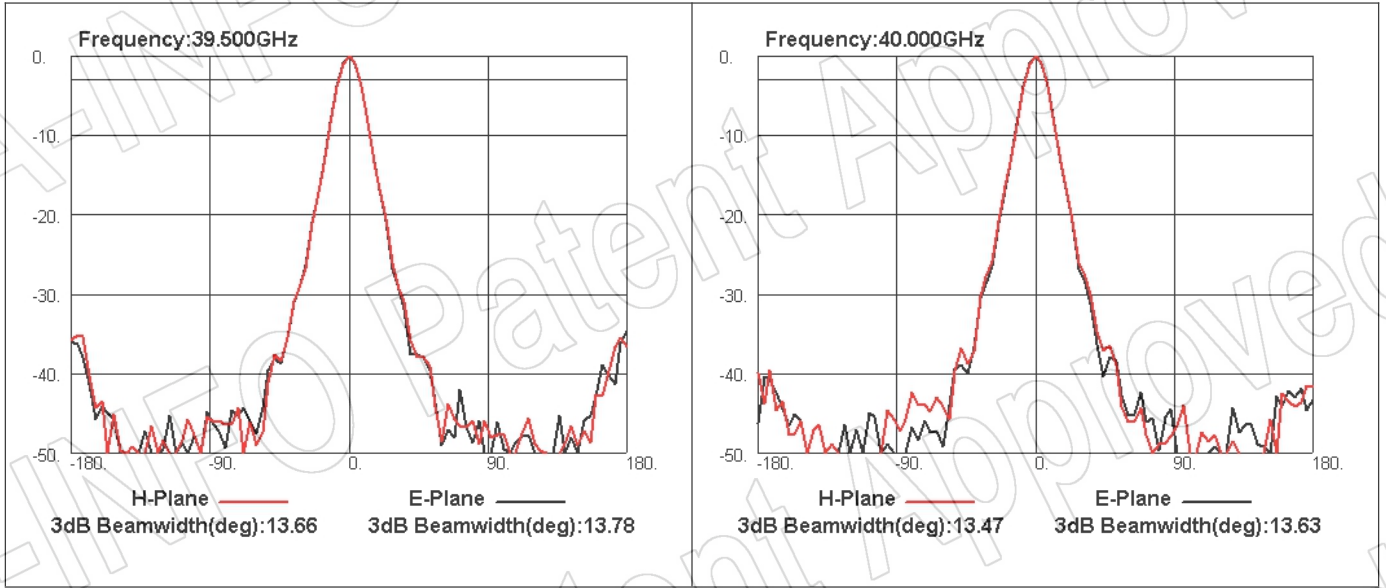












Port-V

